

OARLOCKS & C.L.A.M.S

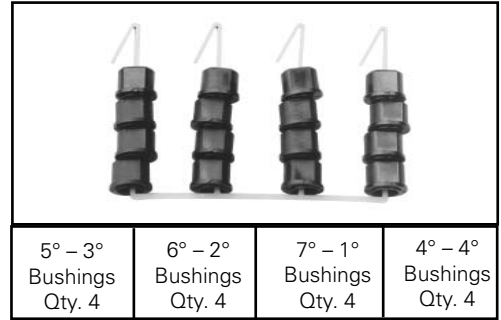
OARLOCKS

- The shape is designed for easy oar handling with positive stable positioning on both drive and recovery.
- Replaceable bushings for pitch adjustment and pin fit.
- Unbreakable "Supertough" nylon.
- Stainless steel gate.
- Meets FISA standards for oarlock turning diameter.

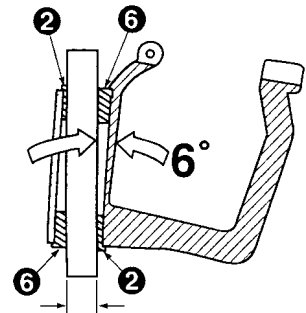
Pin diameter must be specified at time of order.
Different colored bushings fit different pin diameters as shown in the table below.

Bushing Color	Sweep	Scull
Black	$\frac{9}{16}$ "	$\frac{1}{2}$ " (& adapter*)
Blue	13mm	13mm
White	$\frac{1}{2}$ "	$\frac{7}{16}$ "

*Adapter for "crescent" type scull backstand fits into black $\frac{1}{2}$ " scull bushing.



Each wire holds 16 bushings for 2 oarlocks.
There are 4 of each pitch.



INSTRUCTIONS FOR USING THE BUSHINGS TO ADJUST PITCH

Adjust oarlock pitch from 1 to 7 degrees by selecting two bushings with the desired pitch imprinted and inserting them in opposite directions as shown in the drawing at right.
(If replacing existing oarlocks, keep in mind that most non-adjustable oarlocks have a built-in pitch of 4 degrees.)

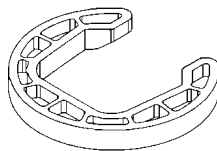
C.L.A.M.S

What is a C.L.A.M.?

C.L.A.M. stands for Clip-on Load Adjusting Mechanism. This product from Concept2 is designed as a convenience to our oar customers for use on the current Concept2 sleeves only.
(They may not fit properly on other sleeves).

Just clip a C.L.A.M. onto your sleeve and you have instantly made a load adjustment without requiring any tools. You can even do it on the water.

1 C.L.A.M. = 1 centimeter of inboard.



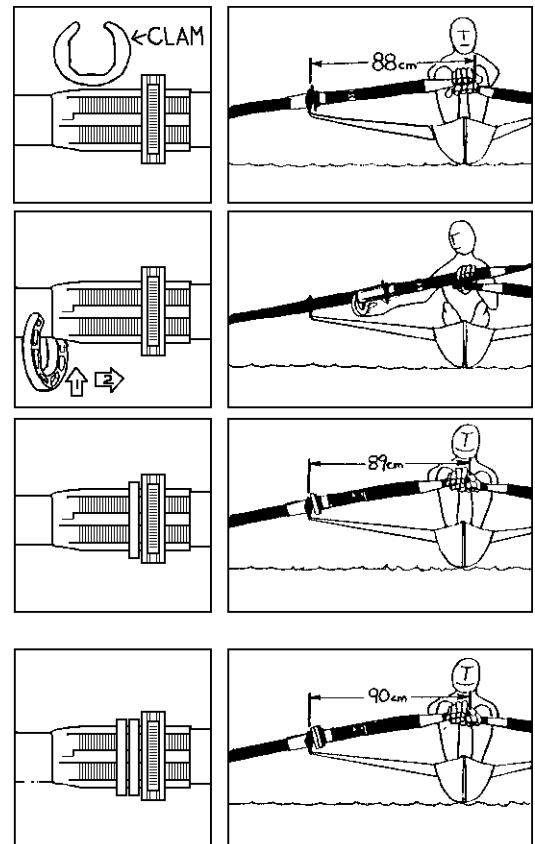
Why use a C.L.A.M.?

Maybe your crews are sharing oars between an eight and a four, and the ideal eight loading is really too heavy for the four but you'd rather not have to move buttons every day. Pop on some C.L.A.M.s before the four goes out. Pop them off when they come in.

Maybe there's a nasty prevailing wind every afternoon that's a headwind on the way home, when you're already tired. Pop on some C.L.A.M.s when you turn around.

Maybe you'd like to test some different loadings for your crew without coming off the water and making oar or button changes. Carry along some C.L.A.M.s and pop them on between pieces.

You can use the C.L.A.M. as a wear surface between the collar and the oarlock.



OARLOCKS & C.L.A.M. ORDER FORM

QUANTITY DISCOUNTS ARE BASED ON TOTAL ORDER OF SWEEP OARLOCKS OR TOTAL NUMBER OF SCULL OARLOCKS
 i.e. 8 PN 399 and 8 PN 408 = 16 sweep oarlocks @ \$10.75 each OR 8 PN 400 and 8 PN 409 = 16 scull oarlocks @ \$9.75 each

QTY.	OARLOCK ASSEMBLIES	DESCRIPTION - PART #	QTY.	UNIT PRICE	TOTAL COST
	9/16" pin diameter	Sweep Black Bushings PN 399		1-15 (sweep) @ \$13.00 ea.	
	13 mm pin diameter	Sweep Blue Bushings PN 408		16-79 (sweep) @ \$10.75 ea.	
	1/2" pin diameter	Sweep White Bushings PN 410		*Boxlot (sweep) @ \$8.50 ea.	
	1/2" pin diameter	Scull Black Bushings PN 400		1-15 (scull) @ \$12.00 ea.	
	13 mm pin diameter	Scull Blue Bushings PN 409		16-119 (scull) @ \$9.75 ea.	
	7/16" pin diameter	Scull White Bushings PN 411		*Boxlot (scull) @ \$8.00 ea.	
	OARLOCKS ONLY	Sweep Oarlock Only PN 401		Sweep \$9.00 ea. *Boxlot @ \$7.00 ea.	
		Scull Oarlock Only PN 402		Scull \$8.00 ea. *Boxlot @ \$6.50 ea.	
	C.L.A.M.S <small>(info on other side)</small>	Sweep - Blue PN 599		1-15 @ \$2.60 ea./16+ @ \$2.00 ea.	
		Scull - Blue PN 600		1-15 @ \$2.35 ea./16+ @ \$1.85 ea.	
		Sweep - Orange PN 607		1-15 @ \$1.50 ea.	
		Scull - Orange PN 606		16+ @ \$1.00 ea.	

* Boxlot prices: Sweep Oarlock - 80 or multiples of 80
 Scull Oarlock - 120 or multiples of 120
 All prices are in U.S. dollars and subject to change without notice.

SHIPPING:

Within the USA (contiguous states only) your order will be shipped via ground service or 1st class U.S. mail.
 FEDEX Express Saver shipping available upon request.

Canadian customers: Please note that duties, taxes, and customs fees will be an additional cost payable to the shipment carrier.

Please contact Concept2 for shipping charges outside the contiguous states and for air shipping charges.

MERCHANDISE TOTAL	
SHIPPING AND HANDLING (USA ONLY)	8.00
C.O.D. SHIPMENT ADD \$11.00	
SUBTOTAL	
FOR RESIDENTS OF CA, FL, IN, MA, NC, NJ, NY, OH, PA, TN, TX, VT, WA ADD APPLICABLE SALES TAX	
TOTAL	

To order: 877.887.8014 (USA & Canada)
 Mon.-Fri. 7:30 a.m.-5:00 p.m. ET
concept2cts.com

PLEASE INDICATE PAYMENT METHOD

Check Enclosed

Visa / Mastercard / Discover

Expiration Date /

Name of Cardholder _____

Address _____

City & State _____ Zip _____

Signature of cardholder

MAILING ADDRESS: (If different from shipping)

NAME _____

ADDRESS _____

CITY _____

STATE _____ ZIP _____

DAY PHONE () _____

FAX _____

EMAIL _____

SHIPPING ADDRESS:

NAME _____

ADDRESS _____

CITY _____

STATE _____ ZIP _____

DAY PHONE () _____

FAX _____

EMAIL _____



877.887.8014 (USA & Canada) • Fax: 802.888.6206
 info@concept2cts.com • concept2cts.com